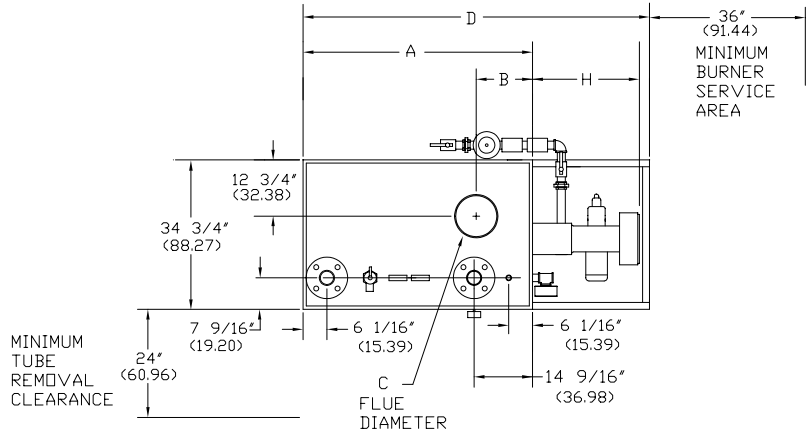


**AB SERIES FORCED DRAFT WATER BOILER
(AB90-AB300)**

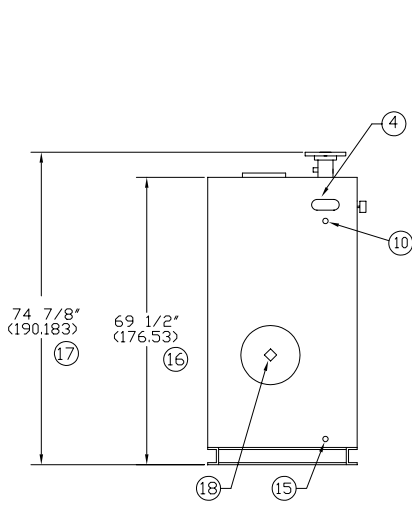
EFFECTIVE DATE: 3/9/09
REPLACES: 3/13/06

NOTES:

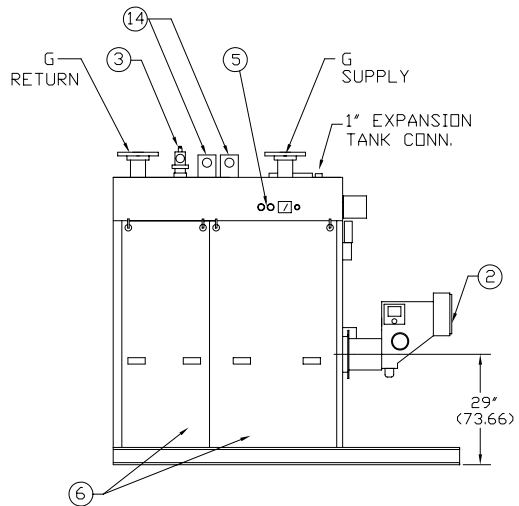
1. ALL DIMENSIONS ARE IN INCHES THOSE IN PARENTHESES ARE CENTIMETERS.
2. LOCATION DIMENSIONS ARE ALL $\pm 1/2"$.
3. GAS TRAIN, CONTROL AND BURNER CONFIGURATION WILL VARY DEPENDING ON JOB SPECIFICATIONS & CONDITIONS.
4. DIMENSIONS ARE SUBJECT TO CHANGE WITHOUT NOTICE. CONSULT FACTORY FOR CERTIFIED DIMENSIONS.
5. ALL FLANGES ARE 150# UNLESS OTHERWISE NOTED, FLANGES TO STRADDLE CENTER LINE.
6. AB 90 THRU AB 150 WILL HAVE ONLY (1) LIFT LUG.
AB 200 THRU AB 300 WILL HAVE (2) LIFT LUGS.



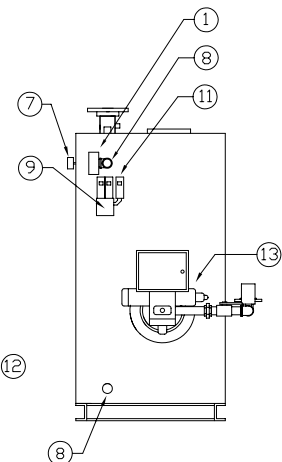
PLAN VIEW



REAR VIEW



LEFT SIDE VIEW



FRONT VIEW

- | | | | |
|--|---|---|--|
| <ol style="list-style-type: none"> 1. PROBE TYPE L.W.C.O.- 2. FORCED DRAFT BURNER 3. RELIEF VALVE 4. ASME NAMEPLATE 5. CONTROL CONNECTION | <ol style="list-style-type: none"> 6. JACKET ACCESS PANELS 7. PRESS./TEMP. GAUGE 8. CLNDUT./INSP. OPNG.-1 1/2"NPT 9. ELEC. ENCLOSURE- 10. AUX. CONNECTION 1 1/4" NPT | <ol style="list-style-type: none"> 11. AQUASTATS 12. BURNER CENTER LINE 13. OIL PUMP LOCATION 14. LIFTING LUG(S) (SEE NOTE 6) 15. DRAIN CONNECTION | <ol style="list-style-type: none"> 16. HEIGHT OVER JACKET 17. HEIGHT OVER SUPPLY 18. FLAME OBSERVATION PORT 19. 20. |
|--|---|---|--|

BOILER MODEL	AB 90	AB 120	AB 150	AB 200	AB 250	AB 300
A-LENGTH OVER JACKET	44 15/16" (114.14)	54 3/16" (137.63)	63 1/2" (161.29)	78 15/16" (200.5)	94 7/16" (239.87)	108 13/16" (276.38)
B-FLUE LOCATION	12" (30.48)	12" (30.48)	12" (30.48)	16 1/2" (41.91)	15" (38.10)	15" (38.10)
C-FLUE DIAMETER	10" (25.40)	10" (25.40)	10" (25.40)	10" (25.40)	12" (30.48)	12" (30.48)
D-LENGTH OVER BASE	76" (193.04)	85 3/8" (216.83)	94 3/4" (240.67)	110" (279.40)	125 1/2" (318.77)	139 7/8" (355.28)
G-SUPPLY/RETURN NOZZLE SIZE	3" (7.62)	3" (7.62)	3" (7.62)	3" (7.62)	3" (7.62)	3" (7.62)

H-BURNER EXTENSION CONSULT FACTORY FOR BURNER EXTENSION APPLICATIONS



BRYAN STEAM LLC

783 NORTH CHILI AVE
PERU, INDIANA 46970

ORDER NO.: _____
ORDER REV. NO.: _____
FORM NO.: 1997

AB SERIES FORCED DRAFT WATER BOILER

BOILER MODEL		AB90	AB120	AB150	AB200	AB250	AB300
INPUT	MBH	900	1,200	1,500	2,000	2,500	3,000
	(KW)	263.7	351.6	439.5	586.0	732.5	879.0
OUTPUT*	MBH	752	1,002	1,253	1,670	2,088	2,505
	(KW)	220.2	293.6	367.0	489.3	611.6	734.0
BOILER HORSEPOWER*	HP	22	30	37	50	62	75
	(KW)	220	293	367	489	611	733
TUBE DIAMETER	INCHES	1.00	1.00	1.00	1.00	1.00	1.00
	(CM)	2.54	2.54	2.54	2.54	2.54	2.54
NUMBER OF TUBES		26	35	44	59	74	88
PRESSURE VESSEL							
VOLUME	GAL	33	40	48	61	73	100
	(L)	124.9	151.4	181.7	230.9	276.3	378.5
HEATING SURFACE	SQ FT	113	148	184	244	303	350
	(SQ M)	10.5	13.8	17.1	22.7	28.2	32.5
OPERATING WEIGHT	LBS	2,264	2,570	2,950	3,550	4,100	4,580
	(KG)	1,027.0	1,165.8	1,338.1	1,610.3	1,859.8	2,077.5
SHIPPING WEIGHT	LBS	2,000	2,250	2,550	3,050	3,500	3,750
	(KG)	907.2	1,020.6	1,156.7	1,383.5	1,587.6	1,701.0

* Output and Boiler HP based on an average natural gas combustion efficiency.