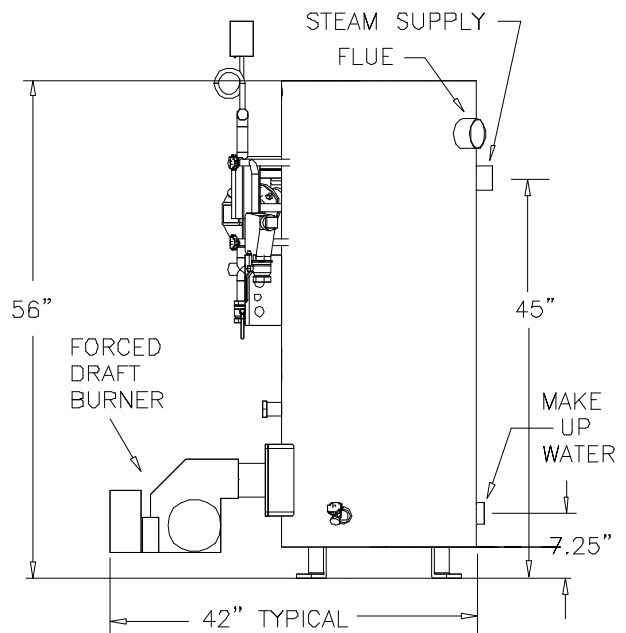
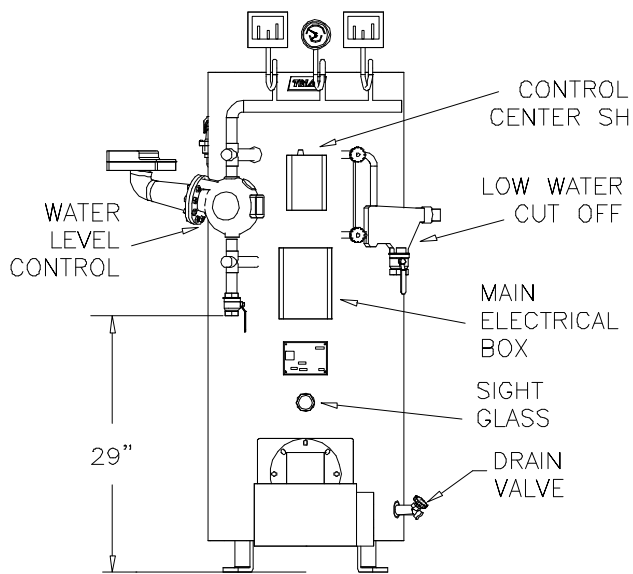
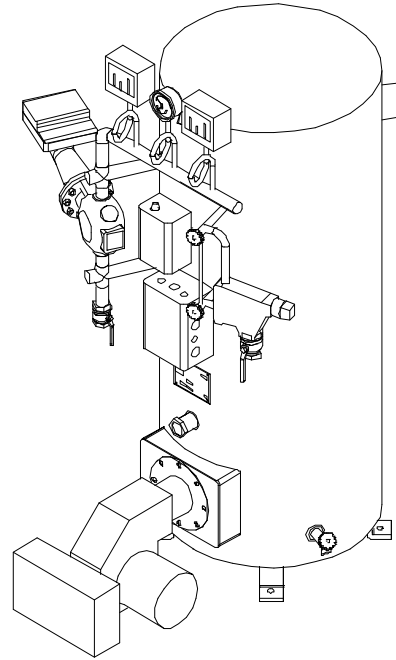
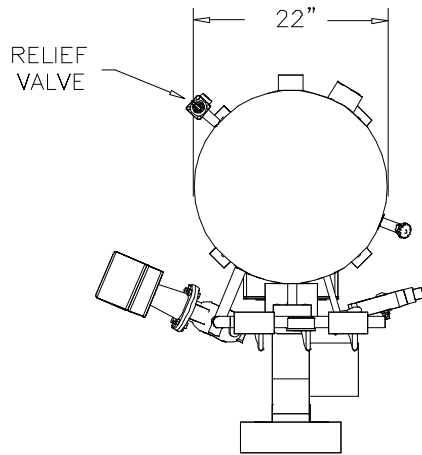




West Chicago, IL 60185
Phone: 888-526-5245
www.triadboiler.com

TRIAD BOILER SYSTEMS, INC. SERIES 300 STEAM BOILER



Note: Dimensions subject to change without notice.
If oil burner, flue is 6" out the top.



TRIAD BOILER SYSTEMS, INC.
SERIES300 STEAM (Model 300 GMS)

The Series 300 is a steel vertical firetube packaged boiler with a water-backed combustion chamber equipped with high-efficiency turbulators. Boilers come fully wired with burner mounted, and fit through a 34" doorway.

STANDARD EQUIPMENT:

- Forced Draft Burner (UL Listed)
- L404F Pressure Control
- L4078B High Limit, Manual Reset
- ¼" Brass Siphon Loops
- 150 Water Level Control
- 751P MM low water cut off
- Honeywell Control Relay
- Gauge Glass Assembly
- Pressure Gauge
- Operating Light
- 1" 15 psi Relief Valve

OPTIONAL EQUIPMENT:

- Gas Fired (NG or Propane), Oil Fired
- UL, FM compliance
- Modulating Gas Train
- Sealed Combustion Air Intake
- Barometric Dampers

SPECIFICATIONS:

<i>Input BTU/Hr</i>	<i>Output BTU/Hr</i>	<i>Efficiency</i>	<i>HP Rating Output</i>	<i>Steam lbs./hr</i>
300,000	255,300	85.1%	7.6	263
350,000	293,650	83.9%	8.8	302
399,000	332,370	83.3%	9.9	343

Note: Typical for Natural Gas. - Oil or LP burner data may vary.

APPLICATIONS:

Space Heating up to 15psi

CLEARANCES & CONNECTIONS:

6" between boilers (36" center to center), 8" from front of burner, steam outlet diameter 2.5" threaded, makeup water 2.5", flue connection 3", ¾" blowdown drain, ¾" skim tap opening

CONTROL:

The Series 300 can operate on its own controls, but a TRIAD microprocessor control panel is recommended for sequencing more than two boilers to minimize run-time and fuel usage.

POWER: 120V, 60Hz, Single Phase, fused for 30 amps.
Min / Max gas pressure, typically 4.0" / 14" WC

WEIGHT/VOLUME:

- Shipping Weight – 900 lbs.
- Operating Weight - 1,000 lbs.
- Volume – 30 gallons

ALL BURNER EQUIPMENT UL APPROVED

TRIAD BOILER REPRESENTATIVE:

TRIAD Boiler Systems, Inc.

West Chicago, IL 60185

Phone: 888-526-5245

Fax: 630-562-2800

Web: www.com.com

