



## Typical Specifications For DynaForce Domestic Hot Water Supply Models DR(W) 0300 – DR(W) 5000

The domestic hot water boiler shall be a CAMUS DYNAFORCE model \_\_\_\_\_ having a recovery capacity of \_\_\_\_\_ gph (lph) at 100°F (56°C) for DHW

The domestic hot water boiler shall be design certified by CSA International and shall meet the requirements of ANSI Z21.10, and CSA 4.3. The domestic hot water boiler shall be vented as a Category II or IV condensing appliance.

### Performance Overview:

- Domestic hot water boiler shall operate up to 99% thermal efficiency
- Heat exchanger shall be a fully condensing primary-secondary cylindrical counter-flow water tube design with 439 grade stainless steel construction and all welded design with constant allowable system return temperatures of 40°F.
- Fine tuned combustion premix providing homogeneous air and gas combustion mix to a radial burner incorporating a knitted stainless steel wrap insuring stable light off and efficient clean combustion.
- 5:1 gas input turn down ratio with sustained efficient combustion characteristics throughout entire modulating range
- Oxides of Nitrogen (NOx) of 9 ppm corrected to 3% oxygen.
- Category II venting certification with Category II and IV venting options.
- The domestic hot water boiler is fully factory fire tested to obtain optimum combustion characteristics and to establish certified gas input rates.
- System safety and operating devices and controls are fully configured, calibrated and factory tested.
- Models consist of an input range of 300 MBTUH to 5000 MBTUH

### Combustion Chamber:

The combustion chamber shall be an all welded stainless steel construction and an integral part of the heat exchanger which shall be an all welded vertical cylindrical stainless steel counter-flow design consisting of an upper burner section for primary heat transfer and a lower section for extracting latent heat from flue gases. Stainless steel access heat exchanger wraps shall be provided for ease of service and inspection of the external heat exchanger and an easily removable radial fired knitted fiber stainless steel burner to access the internal combustion chamber for inspection, service, and cleaning. A window view port shall be provided for visual inspection of the boiler combustion during firing.

### Heat Exchanger:

The stainless steel heat exchanger shall be inspected and tested to A.S.M.E. Section IV requirements. The A.S.M.E. Section IV seal of approval will not be provided as standard for jurisdictions not requiring the A.S.M.E Section IV seal of approval. The stainless steel heat exchanger shall be a 12 pass primary secondary design with a maximum working pressure of 160 psig (1100 kPa). The heat exchanger shall be of 439 grade stainless steel welded construction with a vertical cylindrical counter-flow water tube design complete with integral 439 grade stainless steel finned heat transfer tubes and waterways. The heat exchanger design shall be capable of 40°F constant system return temperatures and have a fully condensing primary and secondary heat exchanger complete with condensate trap and drains. A pressure relief valve of \_\_\_\_\_ lb/hr shall be furnished with the heater.

### Gas Train:

The gas train shall consist of a pressure regulating electro-hydraulic proportional air/gas main gas actuator providing a slow opening, fast closing shutoff valve and proportional 1:1 air/gas ratio control, a fast closing safety shutoff gas pressure regulator with 1 PSI allowable static pressure, and a low gas pressure switch. Optional high gas pressure switch is available. A factory pre-set combination metering valve and orifice shall be provided for setting combustion parameters. Models DR 300 – DR 5000 operate with a 5:1 turndown ratio.

### Burner/Combustion:

The combustion air fan draws gas under negative pressure and mixes it with air to generate a fine tuned air gas mixture which is delivered under positive pressure to the radial knitted stainless steel burner. Combustion modulation is established by either a pulse width modulation signal on models (DR300 – DR800) or by a variable frequency drive on models (DR1000 – DR5000). The burner shall be a 100% stainless steel vertical mounted radial fired type with stainless knitted metal fiber construction. The burner shall combust a precise amount of premixed combustion air and gas to provide equal distribution of heat for heat transfer throughout the entire heat exchanger. Combustion products are exhausted under minimum back pressure. Combustion operates with a 5:1 turn down ratio while sustaining combustion characteristics throughout the entire modulating range. Operation of up to 99% thermal efficiency and shall be certified for Oxides of Nitrogen (NOx) of 9 ppm corrected to 3% oxygen.

### Firing Mode:

The burner combustion shall operate as proportional modulating with a 5:1 turndown ratio with a minimum 20% firing rate. Multiple boiler "Cascade" firing algorithms are proportional modulation. Light off shall be at no more than 50% input to assure rumble free soft start. Combustion shall be optionally suitable for natural gas, propane and dual fuels operation.



## Typical Specifications For DynaForce Domestic Hot Water Supply Models DR(W) 0300 – DR(W) 5000

### Controls:

Standard controls include a SOLA electronic proportional integrated combination ignition limit/operator control accurate to 1°F (0.5°C) having a 4-20 mA output signal suitable for control of a variable frequency motor drive or a pulse width modulation signal output for modulating fan speeds. Controls are lead lag "Cascade" ready for control of up to eight boilers c/w Indoor outdoor reset and lead lag control. Control shall be equipped and ready with 4-20 mA remote set point or modulating control, capable with 0-10 VDC remote set point and modulating control. Control is BMS Modbus RTU protocol ready and capable of other alternate protocol conversions with additional optional gateway protocol converter. Control shall be supplied with a mounted touch screen mid level display which shall also provide for control system configuration and set up, readouts of boiler target, differential and inlet/outlet temperatures as well as accumulated runtime, annunciator diagnostics, and firing rates. Optional "System" control display shall provide full diagnostics including real time data logging and support for up to eight (8) boilers in "Cascade" sequencing application, MODBUS ready. The complete control package shall be mounted on the front panel with a hinged door for easy access to all control modules. The boiler safety control string shall be furnished with controls for low gas pressure, optional high gas pressure, fan air proving, blocked flue, water pressure, high limit, stack limit and flow switch. A flow switch shall be provided loose. Additional control safeties shall include flue gas stack temperature, flame rectification, fan speed, and soft high limit.

### Ignition Module:

The ignition module shall employ a direct igniter with 3 tries for ignition followed by lockout for DR 300 - DR 2500. A proven pilot is used on DR 3000 – DR 5000. Trial for ignition shall proceed with 15 seconds between retrievals. Ignition control shall include times for pre-purge, pre-ignition, ignition, and post purge.

### Venting Options

The following venting options shall be utilized:

- Category II Venting – single or combined vent\*
- Category IV Outside Air (Horizontal & Vertical)
- Category IV Through-wall Venting (Horizontal & Vertical)
- Outdoor Venting
- Category II & IV Direct Venting

\* Category II combined vent shall only employ an engineered designed vent system prepared by a certified vent manufacturer

The following category II and IV optional vent materials shall be utilized

- Stainless or AL29-4C for all system applications
- PPE or polypropylene for all system applications
- PVC for select low temperature systems only – consult factory
- CPVC for domestic hot water systems and select low temperature systems – consult factory

### External Jacket and Fasteners:

The external jacket shall be of 430 stainless steel mirror finish panels and a powder paint coated access top cover assembled utilizing interference fit locks and minimal non-strip self tap screws for ease of removal and access to the heat exchanger and combustion air / gas control.

# SUBMITTAL DATA SHEET – DYNAFORCE – DOMESTIC HOT WATER SUPPLY

Engineer: \_\_\_\_\_

Job Location: \_\_\_\_\_

Date: \_\_\_\_\_

Prepared by: \_\_\_\_\_

Buyer's Name: \_\_\_\_\_

Quote #: \_\_\_\_\_

Job Name: \_\_\_\_\_

Buyer's Address: \_\_\_\_\_

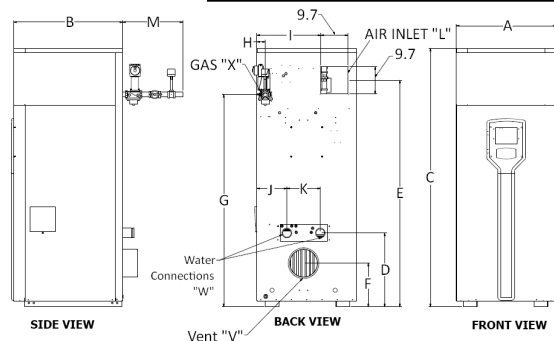
## Recovery Capacity

Model	100°F Rise GPH	56°C Rise LPH	80°F Rise GPH	44°C Rise LPH	60°F Rise GPH	33°C Rise LPH
0300	348	1,317	418	1,582	556	2,105
0350	406	1,536	487	1,843	650	2,461
0400	464	1,756	557	2,108	742	2,809
0500	581	2,199	697	2,638	930	3,520
0600	697	2,638	836	3,165	1,115	4,220
0800	929	3,516	1,115	4,220	1,486	5,625
1000	1,161	4,395	1,393	5,273	1,858	7,033
1200	1,405	5,318	1,686	6,382	2,248	8,510
1400	1,639	6,204	1,967	7,446	2,622	9,925
1600	1,873	7,090	2,248	8,510	2,997	11,345
1800	2,108	7,980	2,530	9,577	3,373	12,768
2000	2,342	8,865	2,810	10,637	3,747	14,183
2500	2,918	11,046	3,502	13,257	4,669	17,674
3000	3,502	13,257	4,202	15,906	5,603	21,210
3500	4,085	15,463	4,902	18,556	6,536	24,777
4000	4,669	17,674	5,603	21,210	7,470	28,277
4500	5,252	19,881	6,302	23,856	8,403	31,809
5000	5,836	22,092	7,003	26,509	9,338	35,348

## Heat Exchanger Head Loss & Flow

Model	10°F Rise		15°F Rise	
	US GPM	ΔP-Ft.	US GPM	ΔP-Ft.
300	57.0	0.5	38.0	0.3
350	66.5	0.7	44.3	0.4
400	76.0	1.0	50.1	0.5
500	95.0	1.6	63.3	0.8
600	113.9	2.5	75.9	1.3
800	152.0	6.6	101.3	3.2
1000	189.8	11.4	126.5	5.4

Model	20°F Rise		25°F Rise		30°F Rise	
	US GPM	ΔP-Ft.	US GPM	ΔP-Ft.	US GPM	ΔP-Ft.
1200	113.8	10.0	91.0	6.6	75.8	4.7
1400	132.8	14.0	106.2	9.2	88.5	6.5
1600	151.8	14.1	121.4	9.3	101.2	6.5
1800	170.9	14.3	136.7	9.4	113.8	6.7
2000	189.8	20.8	151.8	13.6	126.4	9.7
2500	237.2	27.1	189.8	17.7	158.0	12.5
3000	284.6	27.3	227.7	17.8	189.6	12.7
3500	331.8	33.0	265.4	21.5	221.2	15.3
4000	379.5	36.9	303.6	24.0	253.0	17.1
4500	426.9	55.8	341.5	36.3	284.6	25.6
5000	474.0	60.0	379.2	39.0	316.0	27.5



## DynaForce Dimensions

Model	Dim. "A" (in.)	Dim. "B" (in.)	Dim. "C" (in.)	Dim. "D" (in.)	Dim. "E" (in.)	Dim. "F" (in.)	Dim. "G" (in.)	Dim. "H" (in.)	Dim. "I" (in.)	Dim. "J" (in.)	Dim. "K" (in.)	Ø Dim. "L" (in.) Air Inlet	Ø Dim. "V" (in.) Vent CAT. IV up to 100 Ft. Equiv. Length (AsShipped)	Ø Dim. "V" (in.) Vent CAT. II	Dim. "M" (in.)	Ø Dim. "W" (in.) Water	Ø Dim. "X" (in.) Gas	Weight (lbs.)
0300	25	27	34	12 1/4	32 1/2	8 1/8	27	2 5/8	4 49/64 OC	9 3/4	5 1/2	4	4	4	5	1 1/2	3/4	190
0350	25	27	34	12 1/4	32 1/2	8 1/8	28	2 5/8	4 49/64 OC	9 3/4	5 1/2	4	4	5	5	1 1/2	3/4	220
0400	25	27	43	14 1/4	39	10 1/2	33	2 5/8	3 17/64 OC	9 3/4	5 1/2	5	5	5	5	1 1/2	1	250
0500	25	27	43	14 1/4	39	10 1/2	36	2 5/8	3 17/64 OC	9 3/4	5 1/2	5	5	5	5	1 1/2	1	315
0600	25	27	46	15 1/4	42 1/2	10 1/2	39	2 5/8	4 25/64 OC	9 3/4	5 1/2	6	5	6	5	2	1	375
0800	25	27	46	15 1/4	42 1/2	10 1/2	47	2 5/8	4 25/64 OC	9 3/4	5 1/2	6	6	6	8	2	1	400
1000	29 1/2	34	70	18	59 1/2	12	53	1 7/8	4 25/64 OC	10 1/2	8 1/2	8	6	7	8	2	1	485
1200	29 1/2	34	70	18	59 1/2	12	52 1/2	1 7/8	18 21/64	10 1/2	8 1/2	8	7	8	20	2 1/2	1 1/4	582
1400	29 1/2	34	73	20	65 1/2	13	54 1/2	1 7/8	18 21/64	10 1/2	8 1/2	8	7	8	20	2 1/2	1 1/4	679
1600	29 1/2	34	73	20	65 1/2	13	54 1/2	1 7/8	18 21/64	10 1/2	8 1/2	10	7	9	20	2 1/2	1 1/4	776
1800	29 1/2	34	76	20	65 1/2	13	54 1/2	1 7/8	18 11/32	10 1/2	8 1/2	10	8	9	20	2 1/2	1 1/4	800
2000	29 1/2	34	78	22	67 1/4	14	57 1/2	1 7/8	18 11/32	10 1/2	8 1/2	10	8	10	20	3	1 1/4	825
2500	29 1/2	34	88	24 1/2	79 1/2	15	65 1/2	1 7/8	18 11/32	10 1/2	8 1/2	12	9	10	20	3	1 1/2	875
3000	35 1/4	39 1/4	90	24 1/2	81 1/2	15	67 1/2	1 7/8	21 61/64	10 1/2	8 1/2	12	9	10	20	3	1 1/2	920
3500	35 1/4	39 1/4	94	25 1/2	84 1/2	15 1/2	72 1/2	2 1/4	21 61/64	10 1/2	11	12	10	12	26	3	2	1050
4000	35 1/4	39 1/4	94	25 1/2	84 1/2	15 1/2	72 1/2	2 1/4	21 61/64	10 1/2	11	14	10	12	26	3	2	1140
4500	35 1/4	39 1/4	97	27 1/2	87 1/2	16 1/2	74 1/2	3 1/2	21 61/64	10 1/2	11	14	12	12	30	4	2 1/2	1250
5000	35 1/4	39 1/4	102	27 1/2	91	16 1/2	78	3 1/2	21 61/64	12 3/8	11	14	12	12	30	4	2 1/2	1350

Model # \_\_\_\_\_ # Of Units \_\_\_\_\_ Type of Gas \_\_\_\_\_

Total Input \_\_\_\_\_ BTU/hr

Total Output \_\_\_\_\_ BTU/hr Recovery Rate \_\_\_\_\_ USGPH @ \_\_\_\_\_ °F

Optional Accessories \_\_\_\_\_