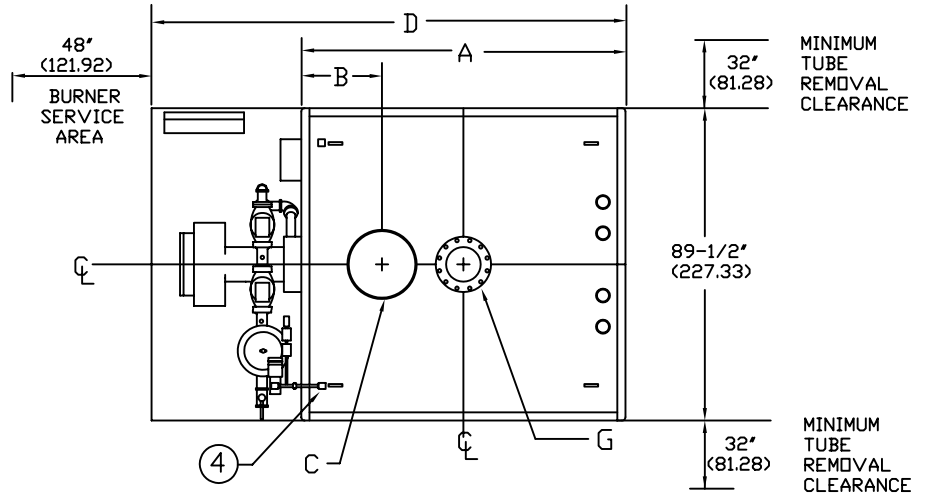


RW SERIES FORCED DRAFT 15# & 150#  
STEAM BOILER (RW850-RW1500)

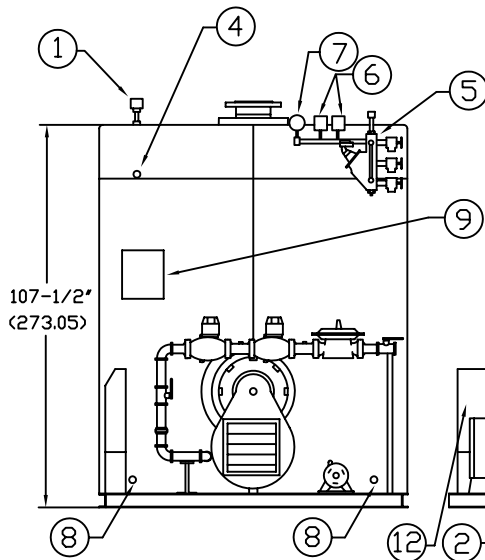
EFFECTIVE DATE: 9/17/03  
REPLACES: 8/4/01

NOTES:

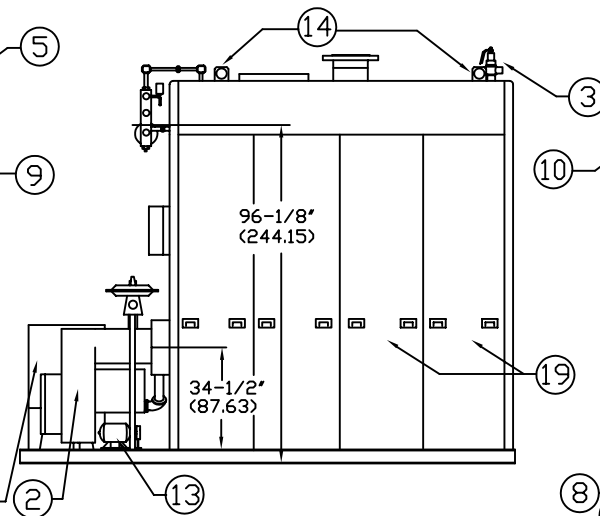
1. ALL DIMENSIONS ARE IN INCHES. THOSE IN PARENTHESIS ARE CENTIMETERS.
2. LOCATION DIMENSIONS ARE ALL  $\pm 1/2"$ .
3. GAS TRAIN, CONTROL AND BURNER CONFIGURATION WILL VARY DEPENDING ON JOB SPECIFICATIONS & CONDITIONS.
4. DIMENSIONS ARE SUBJECT TO CHANGE WITHOUT NOTICE. CONSULT FACTORY FOR CERTIFIED DIMENSIONS.
5. ALL FLANGES ARE 150# UNLESS OTHERWISE NOTED.
6. ALL CONNECTIONS ARE FEMALE NPT.



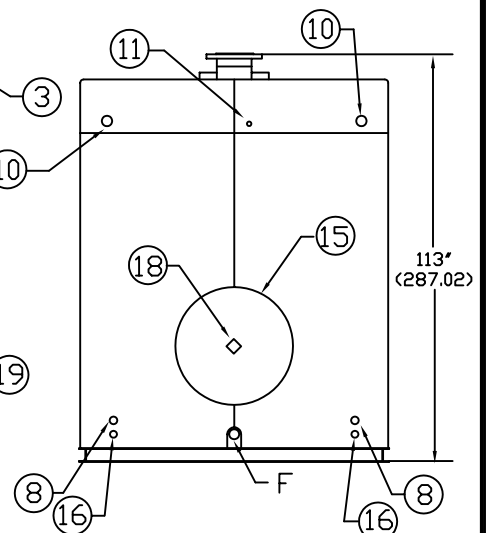
PLAN VIEW



FRONT VIEW



RIGHT SIDE VIEW



REAR VIEW

1. PROBE TYPE AUX. L.W.C.D.	6. PRESSURE CONTROLS	11. SURFACE BLOWDOWN - 1" NPT	16. 1" BLOWDOWN CONN.
2. FORCED DRAFT BURNER	7. PRESSURE GAUGE	12. BURNER CONTROL PANEL	17. DRAIN
3. RELIEF VALVE	8. CLNDUT./INSP. OPNG.-1 1/2"NPT	13. REMOTE OIL PUMP	18. FLAME OBSERVATION PORT
4. 1" CONTROL CONN.	9. ELEC. ENCLOSURE -	14. LIFTING LUGS	19. JACKET ACCESS PANEL
5. LWCD/PUMP CONTROL - 157	10. CLNDUT./INSP. OPNG. - 2" NPT	15. ACCESS DOOR COVER	20.

BOILER MODEL	RW850	RW1050	RW1260	RW1500
A-LENGTH OVER JACKET	124' (314.96)	134' (340.36)	156 1/2' (397.51)	179' (454.66)
B-FLUE LOCATION	36' (91.44)	36' (91.44)	37' (93.98)	37' (93.98)
C-FLUE DIAMETER	20' (50.80)	20' (50.80)	22' (55.88)	22' (55.88)
D-LENGTH OVER BASE	163 3/4' (415.93)	176 5/8' (448.63)	199 1/4' (506.10)	221 3/4' (563.25)
F-FEED CONN. SIZE	2' (5.08)	2' (5.08)	2' (5.08)	2' (5.08)
G-SUPPLY NOZZLE SIZE	15#	10' FLG. (25.4)	10' FLG. (25.4)	12' FLG. (30.48)
	150#	6' FLG. (15.24)	6' FLG. (15.24)	8' FLG. (20.32)



BRYAN BOILERS

783 N CHILI AVE  
PERU, INDIANA 46970

ORDER NO.:	
ORDER REV. NO.:	
FORM NO.:	1966

# RW SERIES FORCED DRAFT STEAM BOILERS

BOILER MODEL		RW850	RW1050	RW1260	RW1500	
INPUT	MBH	8,500	10,500	12,600	15,000	
	(KW)	2,490.5	3,076.5	3,691.8	4,395.0	
OUTPUT*	MBH	6,800	8,400	10,080	12,000	
	(KW)	1,992.4	2,461.2	2,953.4	3,516.0	
BOILER HORSEPOWER	HP	200	250	300	350	
	(KW)	1,960.0	2,450.0	2,940.0	3,430.0	
TUBE DIAMETER	INCHES	1.50	1.50	1.50	1.50	
	(CM)	3.81	3.81	3.81	3.81	
NUMBER OF TUBES		120	136	164	192	
PRESSURE VESSEL						
VOLUME		GAL	780	860	1,000	1,140
		(L)	2,952.3	3,255.1	3,785.0	4,314.9
HEATING SURFACE	SQ FT	1,136	1,288	1,552	1,818	
	(SQ M)	105.6	119.7	144.2	169.0	
STEAM OUTPUT*						
		LBS/HR	7,010	8,659	10,391	12,371
		(KG/HR)	3,179.7	3,927.7	4,713.4	5,611.5
OPERATING WEIGHT	LBS	23,605	26,572	33,040	36,008	
	(KG)	10,707.3	12,053.2	14,986.9	16,333.0	
SHIPPING WEIGHT	LBS	17,100	19,400	24,700	26,500	
	(KG)	7,756.6	8,799.8	11,203.9	12,020.4	

\* Output based on nominal 80% of input. Actual combustion efficiencies will be higher and fuel dependent.