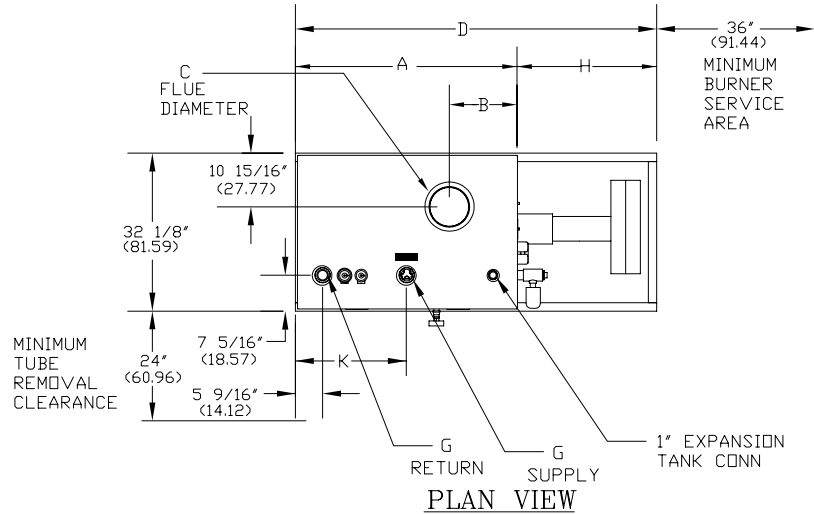


DR SERIES FORCED DRAFT
WATER BOILER (DR350-DR850)

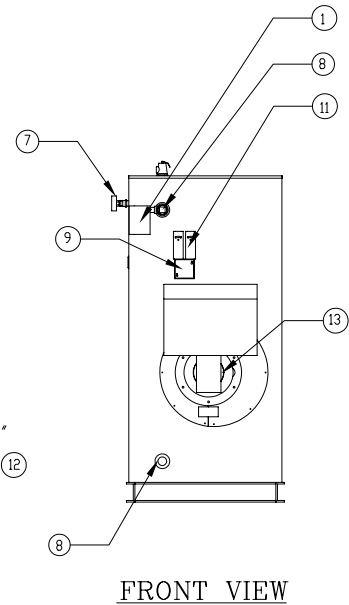
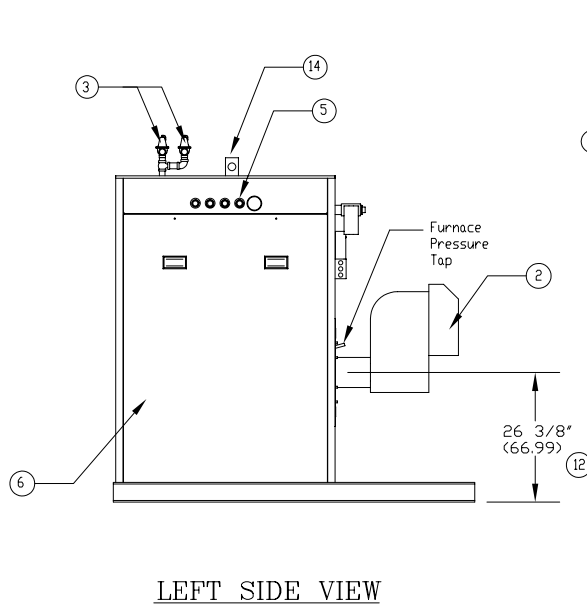
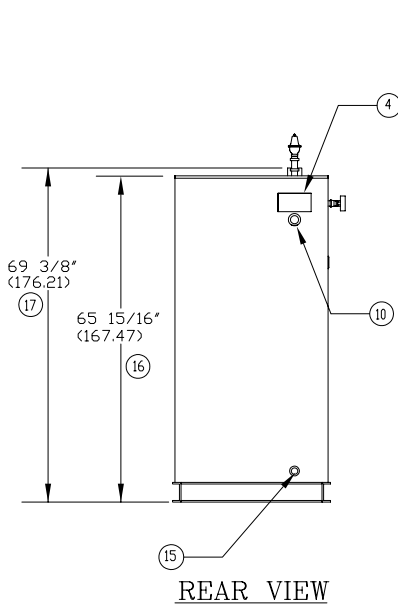
EFFECTIVE DATE: 5/30/08
REPLACES: 3/15/06

NOTES:

1. ALL DIMENSIONS ARE IN INCHES THOSE IN PARENTHESES ARE CENTIMETERS.
2. LOCATION DIMENSIONS ARE ALL $\pm 1/2"$.
3. GAS TRAIN, CONTROL AND BURNER CONFIGURATION WILL VARY DEPENDING ON JOB SPECIFICATIONS & CONDITIONS.
4. DIMENSIONS ARE SUBJECT TO CHANGE WITHOUT NOTICE. CONSULT FACTORY FOR CERTIFIED DIMENSIONS.



MODEL	K
350-450	17"
650-850	22 9/16"



1. PROBE TYPE L.W.C.D.-	6. JACKET ACCESS PANELS	11. AQUASTATS	16. HEIGHT OVER JACKET
2. FORCED DRAFT BURNER	7. PRESS./TEMP. GAUGE	12. BURNER CENTER LINE	17. HEIGHT OVER SUPPLY
3. RELIEF VALVE	8. CLNDUT./INSP. OPNG.-1 1/2"NPT	13. OIL PUMP LOCATION	
4. ASME NAMEPLATE	9. ELEC. ENCLOSURE-	14. LIFTING LUG	
5. CONTROL CONNECTION	10. AUX. CONNECTION 1 1/4" NPT	15. DRAIN CONNECTION	

BOILER MODEL	DR350	DR450	DR650	DR850
A-LENGTH OVER JACKET	33 3/4" (84.77)	33 3/4" (84.77)	45 1/16" (114.45)	45 1/16" (114.45)
B-FLUE LOCATION	13 3/4" (34.92)	13 3/4" (34.92)	13 1/8" (33.33)	13 1/8" (33.33)
C-FLUE DIAMETER	6" (15.24)	6" (15.24)	8" (20.32)	8" (20.32)
D-LENGTH OVER BASE	62 1/8" (157.79)	62 1/8" (157.79)	73 1/2" (186.69)	73 1/2" (186.69)
G-SUPPLY / RETURN NOZZLE SIZE	2" (5.08)	2" (5.08)	2" (5.08)	2" (5.08)
H-BURNER EXTENSION	CONSULT FACTORY FOR BURNER EXTENSION APPLICATIONS			



BRYAN STEAM LLC

783 NORTH CHILI AVE
PERU, INDIANA 46970

ORDER NO.:
ORDER REV. NO.:
FORM NO.: 2118

DR SERIES FORCED DRAFT WATER BOILERS

BOILER MODEL		DR350	DR450	DR650	DR850
INPUT	MBH	350	450	650	850
	(KW)	102.5	131.8	190.4	249.0
OUTPUT*	MBH	292.3	375.8	542.8	709.8
	(KW)	85.6	110.1	159.0	208.0
BOILER HORSEPOWER*	HP	9	11	16	21
	(KW)	86	110	159	208
TUBE DIAMETER	INCHES	1.00	1.00	1.00	1.00
	(CM)	2.54	2.54	2.54	2.54
NUMBER OF TUBES		18	18	29	29
PRESSURE VESSEL					
VOLUME	GAL	20	20	30	30
	(L)	75.7	75.7	113.6	113.6
HEATING SURFACE	SQ FT	66	66	103	103
	(SQ M)	6.1	6.1	9.6	9.6
OPERATING WEIGHT	LBS	1,320	1,320	1,900	1,900
	(KG)	598.8	598.8	861.8	861.8
SHIPPING WEIGHT	LBS	1,150	1,150	1,650	1,650
	(KG)	521.6	521.6	748.4	748.4

* Output and Boiler HP based on an average natural gas combustion efficiency.