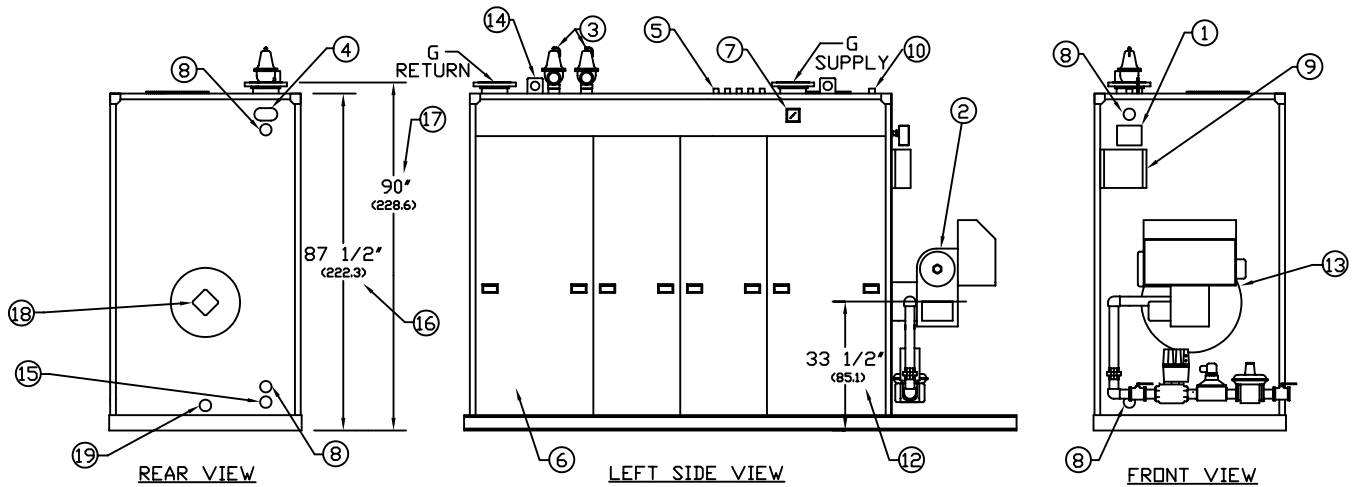
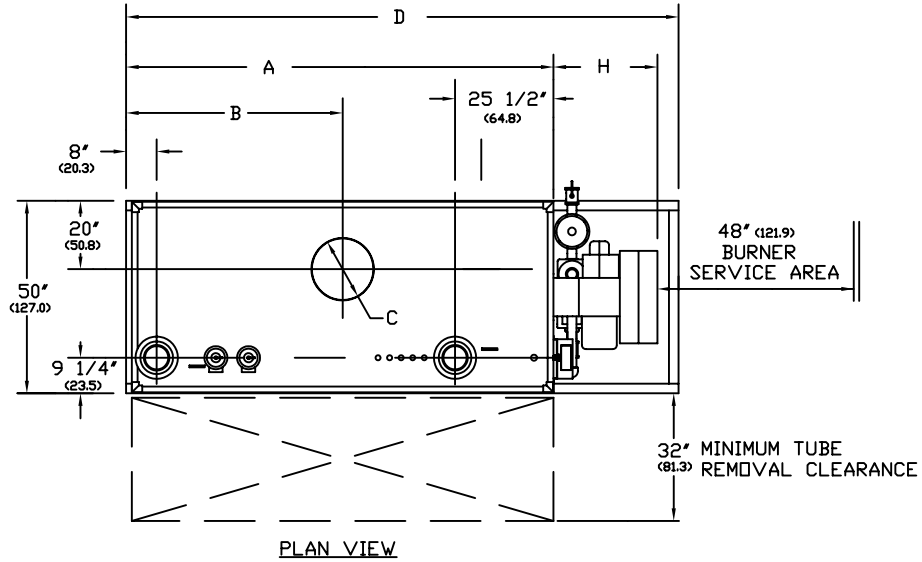


**HE-RV SERIES FORCED DRAFT  
WATER BOILERS (HE-RV550-HE-RV800)**

EFFECTIVE DATE: 03/10/08  
REPLACES: 11/6/2006



- |                              |                                  |                             |                                |
|------------------------------|----------------------------------|-----------------------------|--------------------------------|
| 1. PROBE TYPE L.W.C.O.-      | 6. JACKET ACCESS PANELS          | 12. BURNER CENTER LINE      | 16. HEIGHT OVER JACKET         |
| 2. FORCED DRAFT BURNER       | 7. PRESS./TEMP. GAUGE            | 13. OIL PUMP LOCATION       | 17. HEIGHT OVER SUPPLY         |
| 3. RELIEF VALVE              | 8. CLNDUT./INSP. OPNG.-1 1/2"NPT | 14. LIFTING LUGS            | 18. FLAME OBSERVATION PORT     |
| 4. ASME NAMEPLATE            | 9. ELEC. ENCLOSURE-              | 15. DRAIN CONNECTION 2" NPT | 19. COMB. CHAMBER DRAIN 1" NPT |
| 5. CONTROL TAPPINGS 3/4" NPT | 10. VENT CONNECTION 1" NPT       |                             |                                |

| BOILER MODEL                  | HE-RV550  | HE-RV600              | HE-RV700              | HE-RV800              |
|-------------------------------|---|-----------------------|-----------------------|-----------------------|
| A-LENGTH OVER JACKET          | 143 1/4"<br>(363.9)                               | 152 3/4"<br>(393.0)   | 175 1/4"<br>(445.1)   | 197 3/4"<br>(502.3)   |
| B-FLUE LOCATION               | 71 5/8"<br>(181.9275)                             | 76 3/8"<br>(193.9925) | 87 5/8"<br>(222.5675) | 98 7/8"<br>(251.1425) |
| C-FLUE DIAMETER               | 16"<br>(40.6)                                     | 16"<br>(40.6)         | 20"<br>(50.8)         | 20"<br>(50.8)         |
| D-LENGTH OVER BASE            | 175 3/4"<br>(446.4)                               | 185 1/4"<br>(470.5)   | 214 1/2"<br>(544.8)   | 237 1/4"<br>(602.6)   |
| G-SUPPLY / RETURN NOZZLE SIZE | 6" FLG<br>(15.2)                                  | 6" FLG<br>(15.2)      | 6" FLG<br>(15.2)      | 6" FLG<br>(15.2)      |
| H-BURNER EXTENSION            | CONSULT FACTORY FOR BURNER EXTENSION APPLICATIONS |                       |                       |                       |



783 NORTH CHILI AVE  
PERU, INDIANA 46970

ORDER NO. \_\_\_\_\_  
ORDER REV. NO. \_\_\_\_\_  
FORM NO. 2375

**HE-RV SERIES FORCED DRAFT  
WATER BOILERS**

| BOILER MODEL       |        | HE-RV550 | HE-RV600 | HE-RV700 | HE-RV800 |
|--------------------|--------|----------|----------|----------|----------|
| INPUT              | MBH    | 5,500    | 6,000    | 7,000    | 8,000    |
|                    | (KW)   | 1,611.5  | 1,758.0  | 2,051.0  | 2,344.0  |
| OUTPUT*            | MBH    | 4,675    | 5,100    | 5,950    | 6,800    |
|                    | (KW)   | 1,369.8  | 1,494.3  | 1,743.3  | 1,992.4  |
| BOILER HORSEPOWER* | HP     | 140      | 152      | 178      | 203      |
|                    | (KW)   | 1,368.6  | 1,493.1  | 1,741.9  | 1,990.7  |
| TUBE DIAMETER      | INCHES | 1.50     | 1.50     | 1.50     | 1.50     |
|                    | (CM)   | 3.81     | 3.81     | 3.81     | 3.81     |
| NUMBER OF TUBES    |        | 75       | 81       | 95       | 109      |
| PRESSURE VESSEL    |        |          |          |          |          |
| VOLUME             | GAL    | 251      | 275      | 325      | 364      |
|                    | (L)    | 950.0    | 1,040.9  | 1,230.1  | 1,377.7  |
| HEATING SURFACE    | SQ FT  | 1,035    | 1,128    | 1,335    | 1,541    |
|                    | (SQ M) | 96.2     | 104.8    | 124.1    | 143.2    |
| OPERATING WEIGHT   | LBS    | 12,685   | 13,674   | 15,700   | 17,687   |
|                    | (KG)   | 5,753.7  | 6,202.4  | 7,121.3  | 8,022.7  |
| SHIPPING WEIGHT    | LBS    | 10,592   | 11,381   | 12,990   | 14,652   |
|                    | (KG)   | 4,804.5  | 5,162.4  | 5,892.3  | 6,646.1  |

\* Output and Boiler HP based on an average 85% natural gas combustion efficiency.